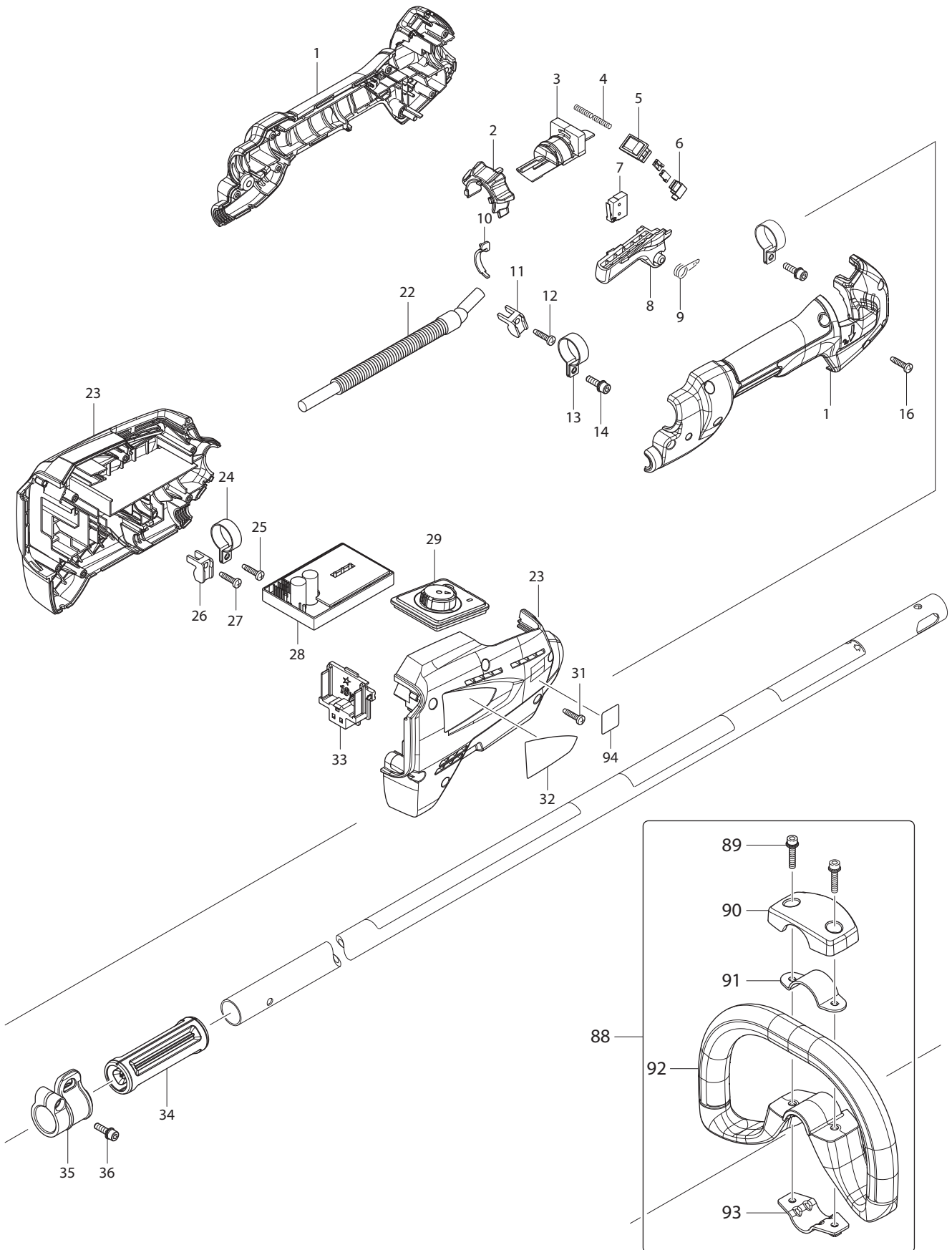
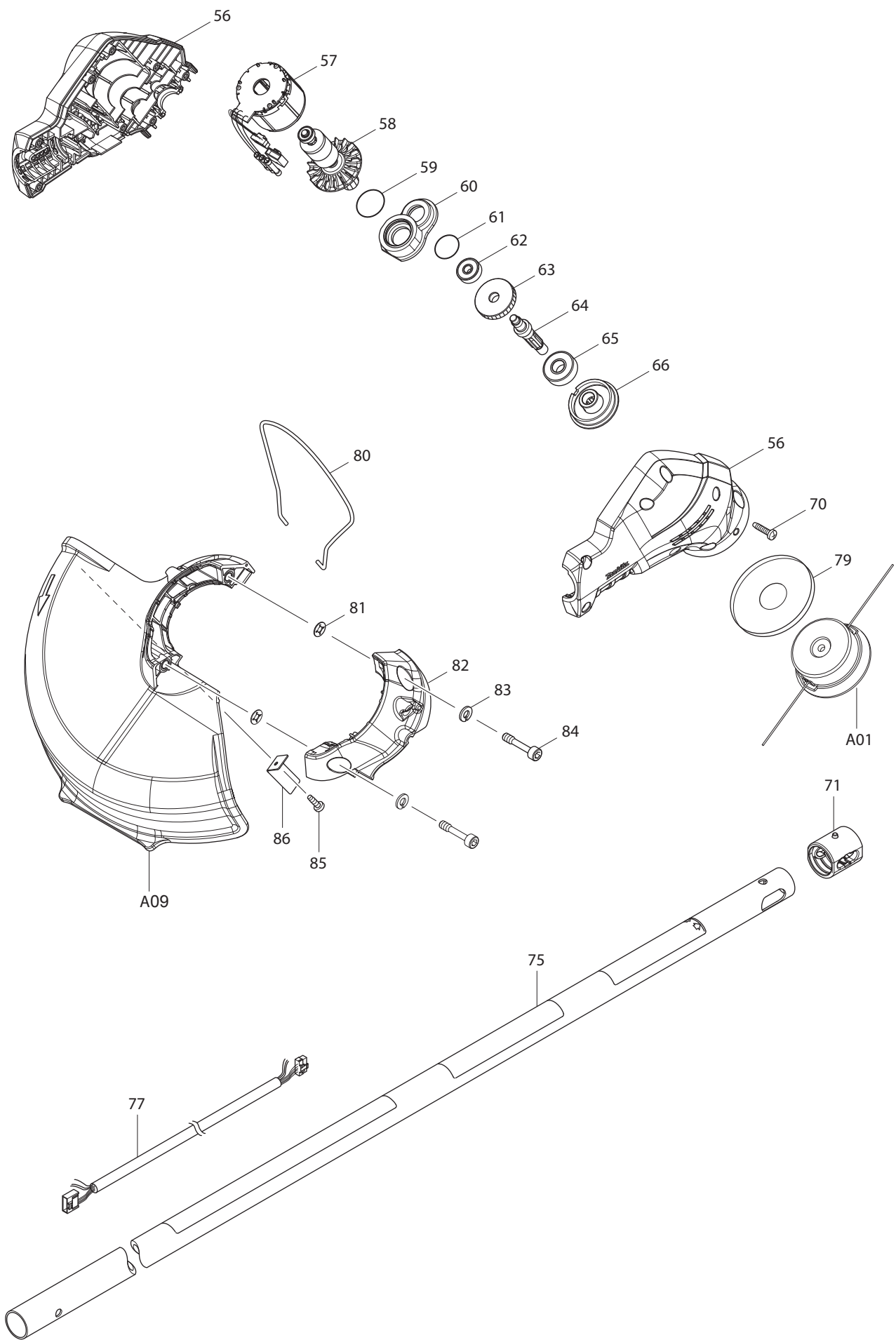




08 - 2013
DUR182LZ
18V BRUSHLESS LINE TRIMMER





Item No	Type	Part No	Description	Qty	Unit
1		187698-1	GRIP SET	1	SET
2		454737-5	LOCK OFF LEVER	1	PC.
3		454738-3	LEVER BASE	1	PC.
4		234079-1	COMPRESSION SPRING 4	2	PC.
5		651533-4	SWITCH SLE6A2-33	1	PC.
6		686015-7	RECEPTACLE SLEEVE	1	PC.
7		650704-0	SWITCH D2SW-P01L1-3M	1	PC.
8		454736-7	SWITCH LEVER	1	PC.
9		233612-6	TORSION SPRING 10	1	PC.
10		451985-7	LEAD COVER	1	PC.
11		687261-5	STRAIN RELIEF	1	PC.
12		265995-6	TAPPING SCREW 4X18	1	PC.
13		346248-3	CLAMP 24	2	PC.
14		922228-9	H.S.H.BOLT M5X18 WITH WR	2	PC.
16		265995-6	TAPPING SCREW 4X18	6	PC.
22		699064-5	POWER SUPPLY CORD UNIT	1	PC.
23		187665-6	HOUSING SET	1	PC.
	INC.	263005-3	RUBBER PIN 6	2	PC.
24		346248-3	CLAMP 24	1	PC.
25		265995-6	TAPPING SCREW 4X18	1	PC.
26		687261-5	STRAIN RELIEF	1	PC.
27		265995-6	TAPPING SCREW 4X18	1	PC.
28		620196-7	CONTROLLER A	1	PC.
29		142134-4	SUB CONTROLLER COMPLETE	1	PC.
31		265995-6	TAPPING SCREW 4X18	6	PC.
32		814X28-4	NAME PLATE F/DUR182L	1	PC.
33		644808-8	TERMINAL	1	PC.
34		451601-1	SPACER 24	1	PC.
35		168478-4	HANGER	1	PC.
36		922228-9	H.S.H.BOLT M5X18 WITH WR	1	PC.
56		187585-4	MOTOR HOUSING SET	1	SET
57		629985-7	STATOR	1	PC.
58		619324-9	ROTOR	1	PC.
59	1	213961-7	O RING 22	1	PC.
	2	213373-4	O RING 22	1	PC.
60		318978-6	BEARING BOX	1	PC.
61		213325-5	O RING 19	1	PC.
62	1	210022-4	BALL BEARING 626DDW	1	PC.
	2	210143-2	BALL BEARING 626ZZ	1	PC.
63		227773-2	HELICAL GEAR 31	1	PC.
64		326275-6	CUTTER SHAFT	1	PC.
65		210059-1	BALL BEARING 6000DDW	1	PC.
66		324917-6	RECEIVE WASHER	1	PC.
70		265995-6	TAPPING SCREW 4X18	8	PC.
71		424567-8	RUBBER SLEEVE 24	1	PC.
75		142375-2	PIPE COMPLETE	1	PC.
	INC.	802E60-6	CAUTION LABEL	1	PC.
	INC.	819312-8	MAKITA LOGO LABEL	1	PC.
77		699059-8	POWER SUPPLY CORD UNIT	1	PC.
79		346622-5	GUARD	1	PC.
80		326348-5	WIRE GUARD	1	PC.
81		413143-3	WASHER	2	PC.
82		454641-8	PROTECTOR HOLDER	1	PC.
83		942151-2	SPRING WASHER 6	2	PC.
84		266579-3	HEX SOCKET HEAD BOLT M6X30	2	PC.
85		266427-6	TAPPING SCREW 4X12	1	PC.

Item No	Type	Part No	Description	Qty	Unit
86		346725-5	CUTTER	1	PC.
88		195626-2	LOOP HANDLE SET	1	PC.
	INC.		Item. 89-93		
89		922243-3	HEX. SOCKET HEAD BOLT M5X25	2	PC.
90		452843-0	CLAMP COVER B	1	PC.
91		346468-9	CLAMP 33	1	PC.
92		452841-4	LOOP HANDLE	1	PC.
93		346467-1	CLAMP 24	1	PC.
C01		875158-2	CARTON F/DUR182L	1	PC.
C01A		876593-7	CARTON F/DUR182L	1	PC.
D01		654509-0	CONNECTOR 2-SD	2	PC.
D02		654510-5	INSULATED CONNECTOR 5.5-SD	3	PC.

ACCESSORIES

- See Catalogue or visit www.makita.ca for more accessories -

A01		123235-7	BUMP & FEED TRIMMER HEAD ASSY	1	PC.
A02		125516-5	BAND ASSEMBLY	1	PC.
A03		195246-2	SAFETY GOGGLE	1	PC.
A04		783202-0	HEX. WRENCH 4	1	PC.
A05		783217-7	HEX. WRENCH 5	1	PC.
A06		831304-7	ACCESSORY BAG	1	PC.
A07		-----	18V LI-ION BATTERY		
A08		-----	BATTERY CHARGER		
A09		454640-0	PROTECTOR	1	PC.
A10		197472-9	NYLON CORD 2.0-15M	1	PC.
A11		-----	LI-ION BATTERY ACCESSORIES		